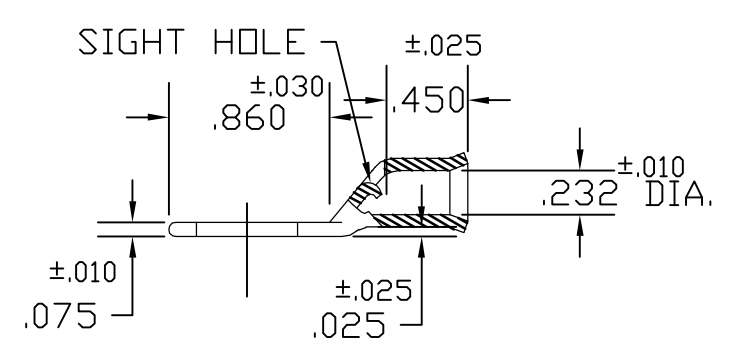
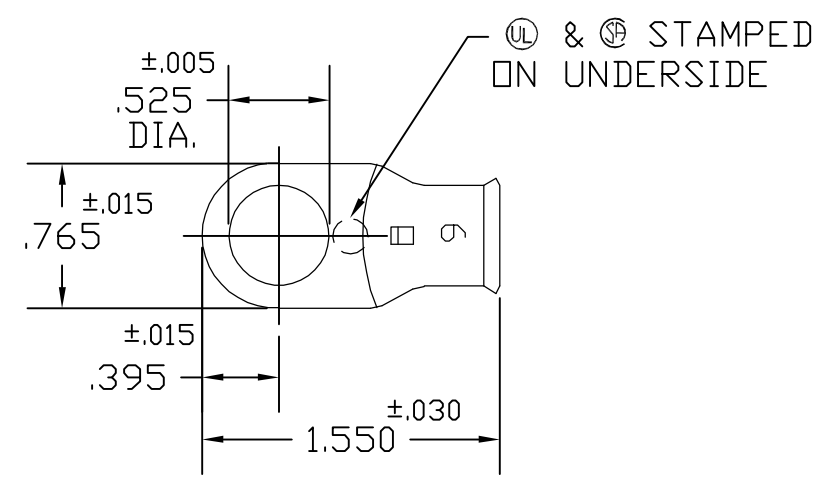


THIS DRAWING IS UNPUBLISHED. RELEASED FOR PUBLICATION
 © COPYRIGHT BY TYCO ELECTRONICS CORPORATION. ALL RIGHTS RESERVED.

LOC	DIST	REVISIONS					
		P	LTR	DESCRIPTION	DATE	DWN	APVD
G	50		A1	REV PER ECR 06-008550	20APR06	JR	DD



ACTIVE	6503-03	STANDARD	TIN PLATE	1526218-2
ACTIVE	6503-02	STANDARD	PLAIN	1526218-1
STATUS	AET P/N	PACKAGING	FINISH	PART NUMBER

THIS DRAWING IS A CONTROLLED DOCUMENT.		DWN D.A.A 10/27/00	Tyco Electronics Corporation Harrisburg, PA 17105-3608			
DIMENSIONS: INCHES		CHK H.D.F 10/27/00				NAME 6 STANDARD TERMINAL W/SIGHT HOLE
		APVD H.D.F 10/27/00	PRODUCT SPEC -			
TOLERANCES UNLESS OTHERWISE SPECIFIED: 0 PLC ± - 1 PLC ± - 2 PLC ± - 3 PLC ± - 4 PLC ± - ANGLES ± -		APPLICATION SPEC -	SIZE A3	CAGE CODE 00779	DRAWING NO C-1526218	RESTRICTED TO -
MATERIAL COPPER ASTM B-152		FINISH -	WEIGHT -	CUSTOMER DRAWING		
			SCALE 1:1	SHEET 1 OF 1	REV A1	